

OWNER'S MANUAL

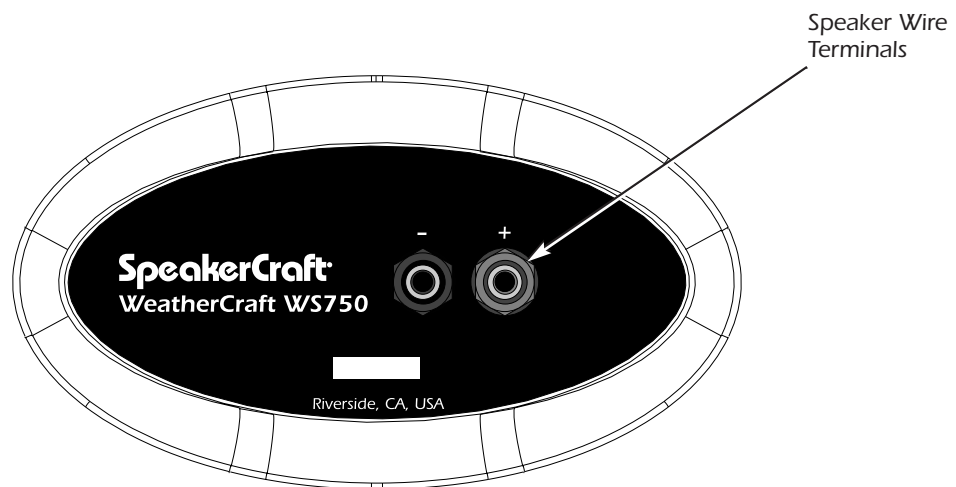
WeatherCraft™ Outdoor Speaker Systems

WS750 / WS740 / WS720 / WS710

SPEAKER INSTALLATION

Please use the diagram below to familiarize yourself with the rear panel of the WeatherCraft™ speaker. Attach the speaker cable to the speaker cable terminals, observing the proper polarity with your amplifier, + to + and - to -. Make sure to connect the right channel to the right speaker and the left channel to the left speaker.

Figure 1: Rear Panel



MOUNTING

Placement on a Wall or Stand

When placing your speakers on a wall or on the optional stand (sold separately), optimal sound will be achieved if they are mounted at ear level or slightly higher. The usual listening area should be no closer to the speakers than the distance between the speakers themselves.

Placement Under Eaves and Outdoors

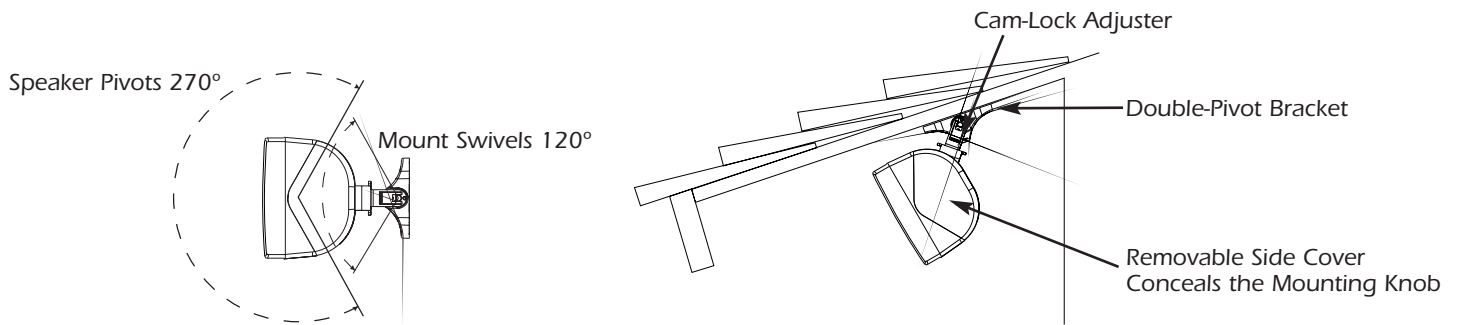
When mounting your speakers outdoors, the eaves of the roof provide an ideal location. They reduce the exposure of constant direct sunlight, salt spray, and precipitation. If installing speakers on a boat, the wheelhouse provides the best location for the same reasons. Following these suggestions will help to ensure that your speakers will last a lifetime.

SpeakerCraft®

Installing the Double-Pivot Mounting System

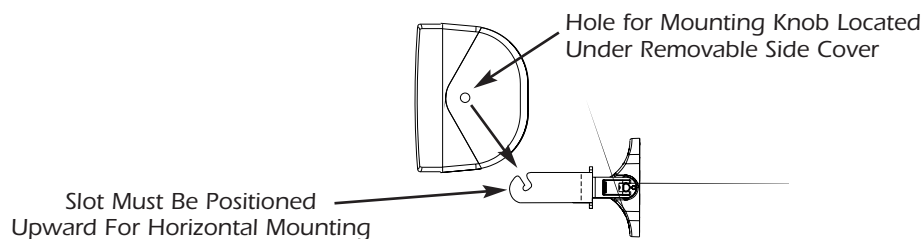
The Double-Pivot Bracket attaches to both ends of the speaker and allows for virtually infinite mounting solutions. It is ideal for mounting speakers under eaves and on locations where you wish to angle the speaker into a desired listening area. (See Figure 2)

Figure 2: Double-Pivot Mounting System



1. Locate a stud or solid beam for mounting the Double-Pivot Bracket. This can be done with several detection methods. If you are unfamiliar with the proper method for you, contact your local hardware store for advice or call SpeakerCraft direct at 1-800-448-0976.
2. Pull speaker wire to the mounting location.
3. Place the Double-Pivot Bracket onto the mounting surface and mark the holes with a pencil. Use a level to be certain that the speaker will be properly aligned.
4. Open the cam-locks to move the bracket out of the way and pull speaker wires through center hole in the bracket.
5. When mounting the speaker horizontally, it is critical to position the bracket so that the slots are facing up. (See Figure 3)

Figure 3: Mounting WS750 / WS740 / WS720 / WS710 Horizontally



6. Secure the bracket to the mounting surface with at least four screws.
7. Adjust the bracket to desired position and close the cam-locks, making sure that the pins and holes are lined up properly.
8. Attach the speaker wire to the speaker wire terminals, observing proper polarity with your amplifier (+ to + and - to -). Make sure the left channel of the amplifier is connected to the left speaker terminals and the right channel to the right speaker terminals.
9. Loosen the mounting knobs on either side of the speaker far enough to slip over bracket.
10. Insert speaker into the bracket, move speaker into desired position and tighten mounting knobs.
11. Snap side covers into place over mounting knobs.

SPECIFICATIONS

	WS750	WS740
Woofers:	Two 5¼" Polypropylene Cone	Two 5¼" Polypropylene Cone
Tweeter:	One 1" Silk Dome	One ½" Polyamide Dome
Efficiency:	91dB 1W/1m	91dB 1W/1m
Power Recommendations:	5 - 80 watts	5 - 70 watts
Frequency Response:	50Hz - 20kHz	60Hz - 20kHz
Dimensions (H x W x D):	6¾" x 18¼" x 5¾"	6¾" x 18¼" x 5¾"
	WS720	WS710
Woofers:	One 5¼" Polypropylene Cone	One 5¼" Polypropylene Cone
Tweeter:	One 1" Silk Dome	One ½" Polyamide Dome
Efficiency:	90dB 1W/1m	90dB 1W/1m
Power Recommendations:	5 - 60 watts	5 - 50 watts
Frequency Response:	70Hz - 20kHz	80Hz - 20kHz
Dimensions (H x W x D):	7¼" x 11½" x 5½"	7¼" x 11½" x 5½"

In our attempt to constantly improve our products, features and specifications are subject to change without notice.

SpeakerCraft offers a variety of accessories to make your installation of these speakers and other SpeakerCraft products easy, economical, and professional. Contact your authorized SpeakerCraft Dealer for more information.

Should you have any questions regarding this, or any other SpeakerCraft product, please call our toll-free service hotline at 1-800-448-0976. We are available to assist you every weekday, except holidays, between the hours of 7:00 a.m. and 5:00 p.m. PST.

LIMITED LIFETIME WARRANTY

SpeakerCraft Inc. warrants to the original retail purchaser **only** that this SpeakerCraft product will be free from defects in materials and workmanship, provided the speaker was purchased from a SpeakerCraft Authorized Dealer.

Defective products must be shipped, together with proof of purchase, prepaid insured to the SpeakerCraft Authorized Dealer from whom they were purchased, or to the SpeakerCraft factory at the address listed on this installation instruction manual. Freight collect shipments will be refused. It is preferable to ship this product in the original shipping container to lessen the chance of transit damage. In any case, the risk or loss or damage in transit is to be borne by the purchaser. If, upon examination at the Factory or SpeakerCraft Authorized Dealer, it is determined that the unit was defective in materials or workmanship at any time during this warranty period, SpeakerCraft or the SpeakerCraft Authorized Dealer will, at its option, repair or replace this product at no additional charge, except as set forth below. If this model is no longer available and can not be repaired effectively, SpeakerCraft, at its sole option may replace the unit with a current model of equal or greater value. In some cases where a new model is substituted, a modification to the mounting surface may be required. If mounting surface modification is required, SpeakerCraft assumes no responsibility or liability for such modification. All replaced parts and product become the property of SpeakerCraft Inc. Products replaced or repaired under this warranty will be returned to the original retail purchaser, within a reasonable time, freight prepaid.

This Warranty does not include service or parts to repair damage caused by accident, disaster, misuse, abuse, negligence, inadequate packing or shipping procedures, commercial use, voltage inputs in excess of the rated maximum of the unit, or service, repair or modification of the product which has not been authorized or approved by SpeakerCraft. This Warranty also excludes normal cosmetic deterioration caused by environmental conditions. This Warranty will be void if the Serial Number on the product has been removed, tampered with or defaced.

This Warranty is in lieu of all other expressed warranties. If the product is defective in materials or workmanship as warranted above, the purchaser's sole remedy shall be repair or replacement as provided above. In no event will SpeakerCraft be liable for any incidental or consequential damages arising out of the use or inability to use the product, even if SpeakerCraft Inc. or a SpeakerCraft Inc. Authorized Dealer has been advised of the possibility of such damages, or for any claim by any other party. Some states do not allow the exclusion or limitation of consequential damages, so the above limitation and exclusion may not apply.

All implied warranties on the product are limited to the duration of this expressed Warranty. Some states do not allow limitation on the length of an implied warranty. If the original retail purchaser resides in such a state, this limitation does not apply.

